

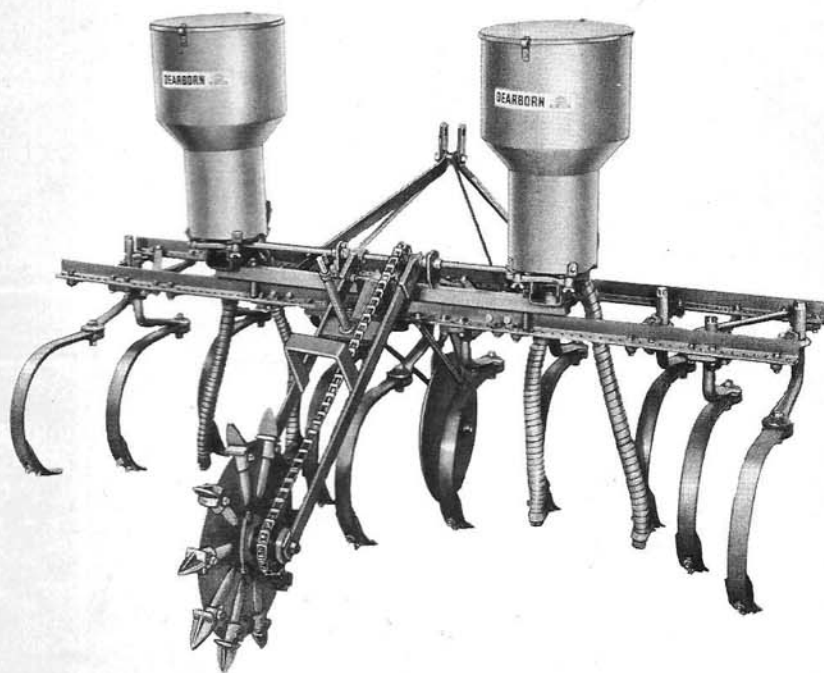
# DEARBORN SIDE DRESSER ATTACHMENT

FOR DEARBORN CULTIVATORS

MODELS 13-54, 55

## TEMPORARY PARTS LIST

February, 1954



TRACTOR AND IMPLEMENT DIVISION

*Ford Motor Company*

2500 EAST MAPLE ROAD • BIRMINGHAM, MICHIGAN

# DEARBORN SIDE DRESSER ATTACHMENT

## MODEL INDEX

Model 13-54 Dearborn Side Dresser Attachment With Fertilizer Hoppers. (For Dearborn Cultivators)

Model 13-55 Dearborn Side Dresser Attachment Less Fertilizer Hoppers. (For Dearborn Cultivators)

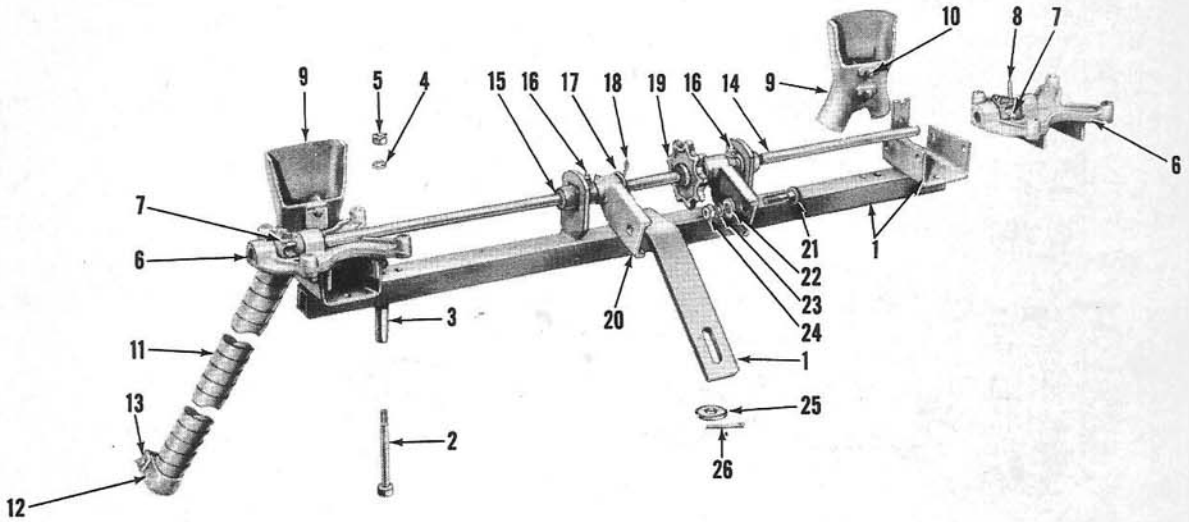


Figure 2 Frame and Mounting Parts

FIG.	PART NO.	NAME AND DESCRIPTION	QTY. REQ.
2		GROUP 1-1 - FRAME AND MOUNTING PARTS	
1	133171	FRAME, Side Dresser (Welded Assembly) . . . . .	1
2		BOLT, 7/16 - 14 x 4-1/2 Hex )	
3	133177	SPACER, 3/8 Pipe x 3-5/16 Long )	
4		LOCKWASHER, 7/16 )	
5		NUT, 7/16 - 14 Hex )	
		Frame to Cultivator . . .	2
-		BOLT, 5/8 - 11 x 2 Hex )	
-		LOCKWASHER, 5/8 )	
-		NUT, 5/8 - 11 Hex )	
		Frame to Cultivator Rear	
		Strut and Bracket . . .	2

**DEARBORN SIDE DRESSER ATTACHMENT**

FIG. 2	PART NO.	NAME AND DESCRIPTION	QTY. REQ.
GROUP 1-1 - FRAME AND MOUNTING PARTS (cont'd)			
6	126138	BRACKET, Bearing, Fertilizer Hopper . . . . .	2
-		BOIT, 5/16 - 18 x 1-3/4 Carr. ) Bearing Bracket to	8
-		NUT, 5/16 - 18 Wing ) Hopper Bottom Bracket .	
-		BOIT, 3/8 - 16 x 1 Carr. )	
-		LOCKWASHER, 3/8 ) Bearing Bracket to	8
-		NUT, 3/8 - 16 Hex ) Frame (Underside) . . . . .	
7	125686	GEAR, Pinion, Hopper Shaft. . . . .	2
8		PIN, Roll, 3/16 x 1-1/8 Gear to Shaft . . . . .	2
9	133086	SPOUT ASSEMBLY, Fertilizer Split Flow . . . . .	2
-		SCREW, 1/4 - 20 x 5/8 Flat Hd. ) Spout to Frame . . . . .	4
10		NUT, 1/4 - 20 Hex )	
11	133178	TUBE, Fertilizer Ribbon . . . . .	4
-		SCREW, Pan Hd. Tapping, #10 - 12 x 3/8 - Tube to Spout	
		Assembly . . . . .	4
12	133093	CLAMP, Tube . . . . .	4
13	133094	BRACKET, Clamp. . . . .	4
-		SCREW, 1/4 - 20 x 3/4 Rd. Hd. ) Bracket to Clamp . . . . .	4
-		NUT, 1/4 - 20 Hex )	
14	133179	SHAFT, Fertilizer, 5/8 OD x 42 . . . . .	1
15	133158	BEARING, Cast, 1-9/16 OD x 2 . . . . .	2
16		FITTING, Lube, 1/8 - 27 x 3/4 Str. - Bearing . . . . .	2
17		WASHER, 5/8 Flat )	2
18		COTTER PIN, 3/16 x 1 ) Shaft Spacer	1
19	133180	SPROCKET, Drive, 9 Tooth . . . . .	1
-		PIN, Roll, 3/16 x 1-3/8 - Sprocket to Shaft . . . . .	1
20	133161	BEARING, Drive Wheel Frame . . . . .	2
-		FITTING, Lube, 1/8 - 27 x 3/4 Str. - Bearing . . . . .	2
21		BOIT, 7/16 - 14 x 1-1/2 Carr. )	
22		WASHER, 7/16 Flat )	
23		LOCKWASHER, 7/16 ) Bearing to Drive Wheel Frame	2
24		NUT, 7/16 - 14 Hex )	
25		WASHER, 5/8 Flat ) Pressure Rod. . . . .	2
26		COTTER PIN, 1/4 x 1 )	

# DEARBORN SIDE DRESSER ATTACHMENT

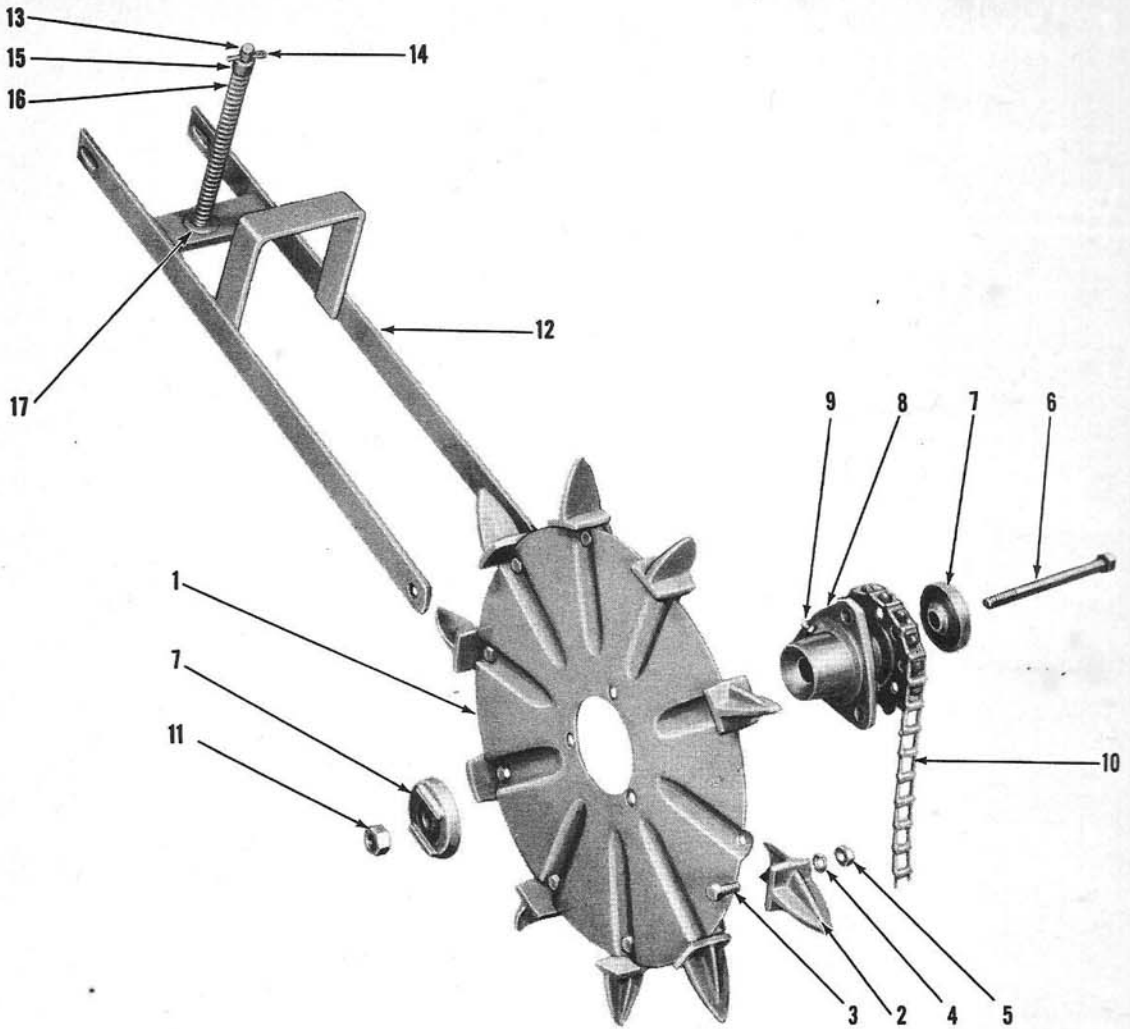


Figure 3 Ground Drive Wheel Parts

FIG. 3	PART NO.	NAME AND DESCRIPTION	QTY. REQ.
		GROUP 1-2 - GROUND DRIVE WHEEL PARTS	
1	127705	WHEEL, Ground Drive . . . . .	1
2	127706	LUG, Drive Wheel. . . . .	10
3		BOLT, 7/16 - 1 1/4 x 1 Hex )	
4		LOCKWASHER, 7/16 ) Lug to Wheel . . . . .	10
5		NUT, 7/16 - 1 1/4 Hex )	

**DEARBORN SIDE DRESSER ATTACHMENT**

FIG. 3	PART NO.	NAME AND DESCRIPTION	QTY. REQ.
		GROUP 1-2 - GROUND DRIVE WHEEL PARTS (cont'd)	
6		BOLT, 5/8 - 11 x 8 Hex (Hub to Wheel) . . . . .	1
7	127708	CAP, Ground Wheel Bearing. . . . .	2
8	127707	HUB, Ground Wheel. . . . .	1
9		FITTING, Lube, 1/8 - 27 x 3/4 Str. . . . .	1
-		BOLT, 7/16 - 14 x 1 Carr. )	
-		LOCKWASHER, 7/16 ) Hub to Wheel . . . . .	3
-		NUT, 7/16 - 14 Hex )	
10		CHAIN, 73 Links, No. 32 (Service from 164101) . . . . .	1
-	164101	CHAIN, 104 Links, No. 32, 10 Feet Long . . . . .	As Req
11		NUT, 5/8 - 11 Hex ) Hub to Wheel	1
-		NUT, 5/8 - 11 Hex, Jam )	1
12	133181	FRAME, Wheel (Welded Assembly) . . . . .	1
13	133113	ROD, Pressure. . . . .	1
14		COTTER PIN, 1/4 x 1 (Pressure Spring). . . . .	1
15	132075	COLLAR, Set. . . . .	1
-		SET SCREW, 3/8 - 16 x 5/8, Cup Pt. — Collar to Rod . . . . .	1
16	132076	SPRING, Pressure . . . . .	1
17		WASHER, 5/8 Flat (Pressure Spring). . . . .	1

# DEARBORN SIDE DRESSER ATTACHMENT

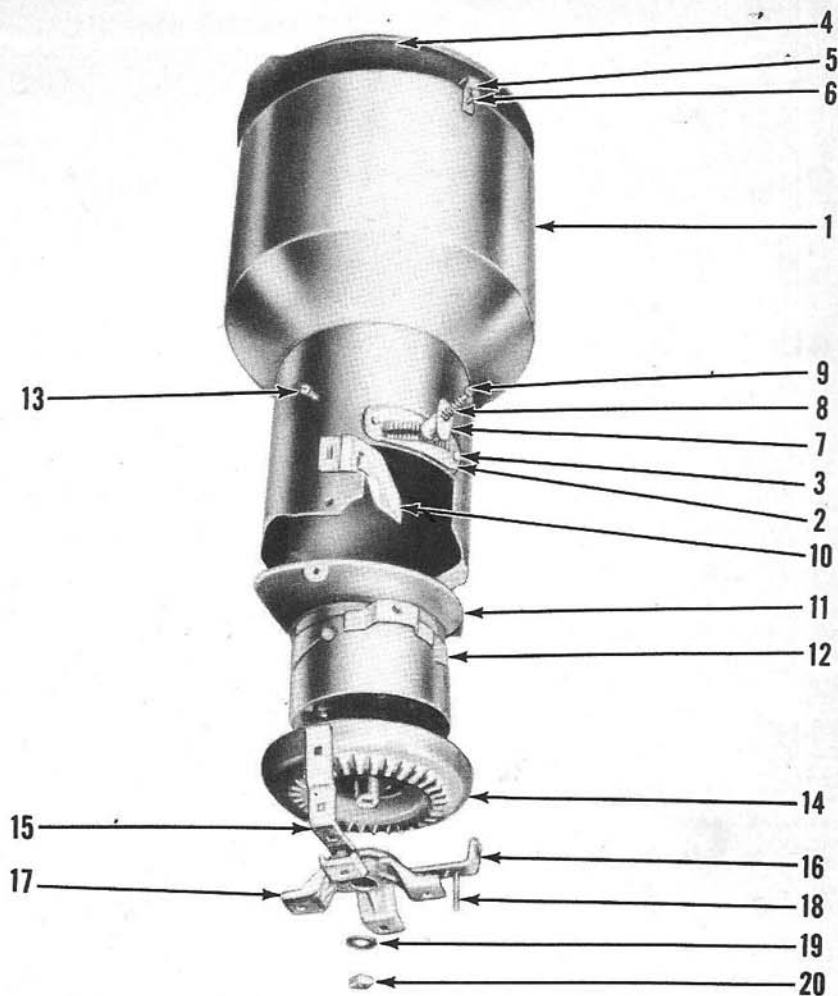


Figure 4 Fertilizer Hopper Assembly

FIG.	PART NO.	NAME AND DESCRIPTION	QTY. REQ.
4		<b>GROUP 1-3 - FERTILIZER HOPPER ASSEMBLY</b> NOTE: Used on Model 13-54	
1	126177	HOPPER ASSEMBLY, Fertilizer (Riveted Assembly) . . . . .	2
		Consists of Hopper which is not serviced separately plus items listed below:	
2	125783	INDEX, Feed . . . . .	2
3		RIVET, 3/16 x 3/8 Rd. Hd. - Index to Hopper . . . . .	4
4	126183	COVER, Hopper. . . . .	2
5	125714	LATCH, Hopper Cover. . . . .	4
-	125717	SPRING, Hopper Cover Latch . . . . .	4
6	125713	RIVET, 1/4 x 1 Rd. Hd., Drld. ) Latch and Spring to Hopper	4
-		COTTER PIN, 1/8 x 5/8	
7	125798	LEVER, Feed. . . . .	2
8	125799	SPRING, Feed Lever . . . . .	2
9		BOLT, 1/2 - 20 x 2 Rd. Hd. Stove ) Lever to Hopper . . . . .	2
-		NUT, 1/2 - 20 Square	



**DEARBORN SIDE DRESSER ATTACHMENT**

FIG. 4	PART NO.	NAME AND DESCRIPTION	QTY. REQ.
		GROUP 1-3 - FERTILIZER HOPPER ASSEMBLY (cont'd)	
10	125797	SCRAPER, Hopper Bottom . . . . .	2
11	125784	RING ASSEMBLY, Feed Gauge. . . . .	2
		Consists of Ring which is not serviced separately plus items listed below:	
12	125785	GAUGE, Feed w/Strap (Riveted) . . . . .	2
--	125788	AGITATOR. . . . .	2
--	125789	HOUSING, Agitator . . . . .	2
13		BOLT, 1/4 - 20 x 1/2 Rd. Hd. Stove )	
--		NUT, 1/4 - 20 Square ) Ring Assembly to Hopper	6
--		BOLT, 1/4 - 20 x 1-1/2 Flat Hd. Stove )	
--		NUT, 1/4 - 20 Square ) Housing to Ring. .	2
14	125792	BOTTOM, Hopper . . . . .	2
15	125794	STRAP, Hopper Bottom, R.H. . . . .	2
--		BOLT, 1/4 - 20 x 1/2 Carr. )	
--		LOCKWASHER, 1/4 ) Straps to Scraper & Hopper. .	10
--		NUT, 1/4 - 20 Hex. )	
16	125795	STRAP, Hopper Bottom, L.H. . . . .	2
--	125796	STRAP, Hopper Bottom, Rear . . . . .	4
--		BOLT, 5/16 - 18 x 3/4 Flat Hd. )	
--		LOCKWASHER, 5/16 ) Straps to Bracket . . . .	8
--		NUT, 5/16 - 18 Hex )	
17	125793	BRACKET, Bearing, Hopper Bottom. . . . .	2
18		BOLT, 5/16 - 18 x 1-3/4 Carr. )	
--		NUT, 5/16 - 18 Wing ) Hopper Assembly to Base. .	8
--	128066	AGITATOR, Center (Welded Assembly) . . . . .	2
--		BOLT, 7/16 - 14 x 1-3/4 Carr. )	
19		WASHER, 7/16 Flat ) Agitator, Bottom and	
20		NUT, 7/16 - 14 Hex ) Bracket Retaining . . .	2
	112221	DECAL. . . . .	2

## NUMERICAL INDEX

PART NO.		PAGE NO.	PART NO.		PAGE NO.
112221	Decal. . . . .	6	127705	Wheel. . . . .	3
125686	Gear . . . . .	2	127706	Lug. . . . .	3
125713	Rivet. . . . .	5	127707	Hub. . . . .	4
125714	Latch. . . . .	5	127708	Cap. . . . .	4
125717	Spring . . . . .	5	128066	Agitator . . . . .	6
125783	Index . . . . .	5	132075	Collar . . . . .	4
125784	Ring Assembly . . . . .	6	132076	Spring . . . . .	4
125785	Gauge. . . . .	6	133086	Spout Assembly . . . . .	2
125788	Agitator . . . . .	6	133093	Clamp. . . . .	2
125789	Housing. . . . .	6	133094	Bracket. . . . .	2
125792	Bottom . . . . .	6	133113	Rod. . . . .	4
125793	Bracket. . . . .	6	133158	Bearing. . . . .	2
125794	Strap. . . . .	6	133161	Bearing. . . . .	2
125795	Strap. . . . .	6	133171	Frame. . . . .	1
125796	Strap. . . . .	6	133177	Spacer . . . . .	1
125797	Scraper. . . . .	6	133178	Tube . . . . .	2
125798	Lever. . . . .	5	133179	Shaft. . . . .	2
125799	Spring . . . . .	5	133180	Sprocket . . . . .	2
126138	Bracket. . . . .	2	133181	Frame. . . . .	4
126177	Hopper Assembly. . . . .	5	164101	Chain. . . . .	4
126183	Cover. . . . .	5			